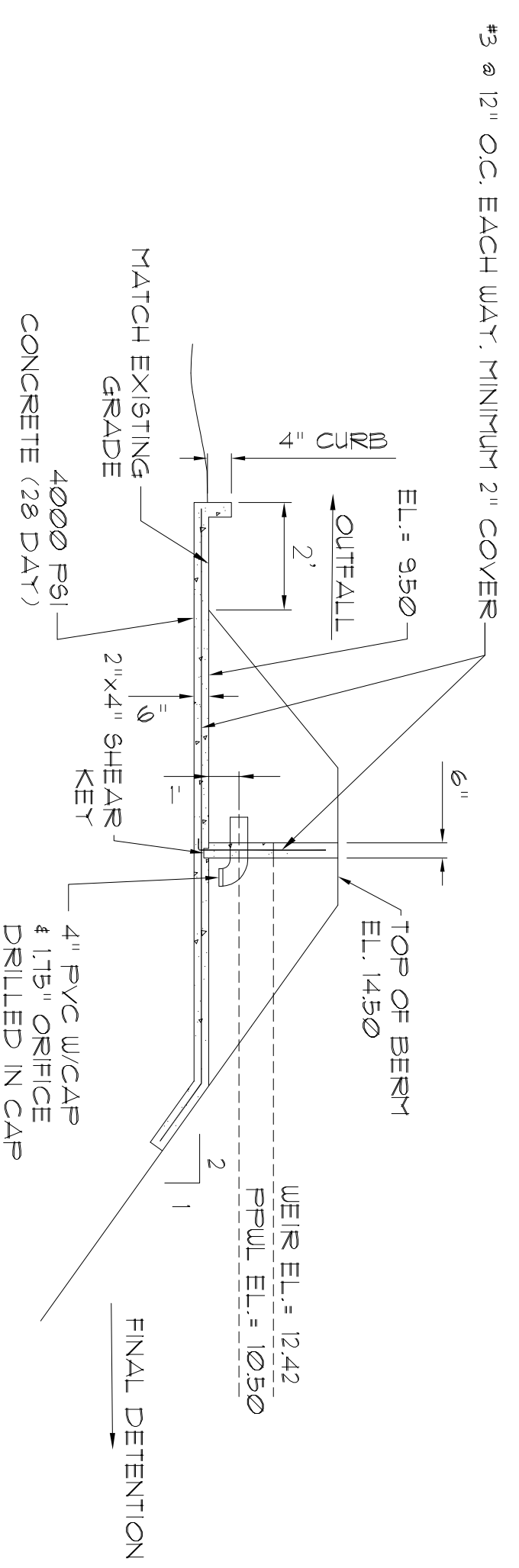
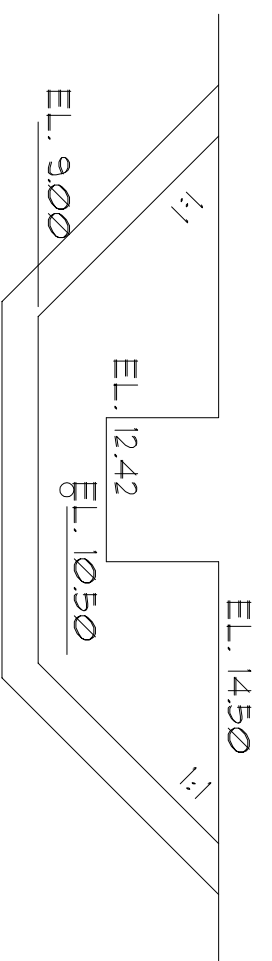


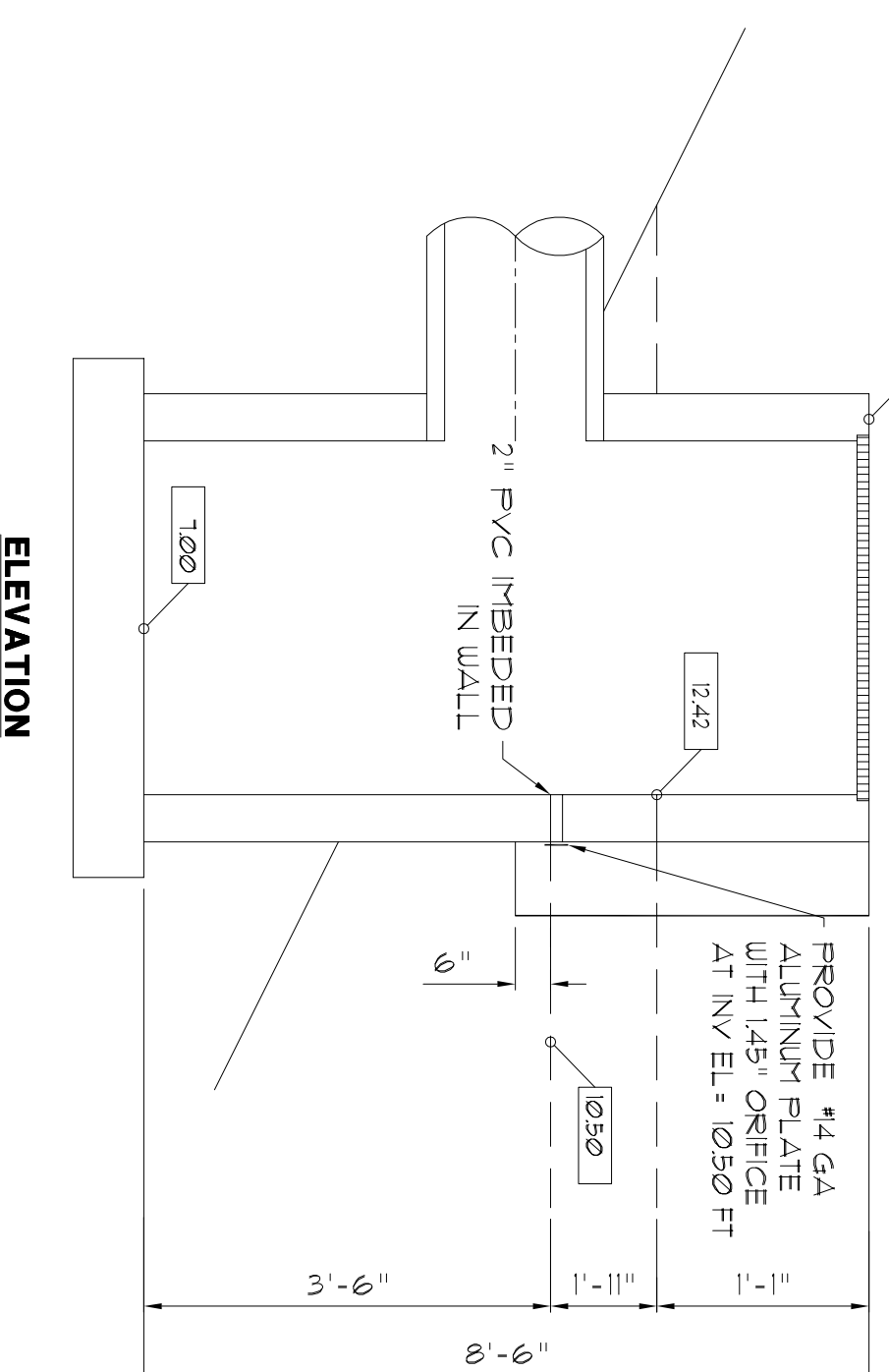
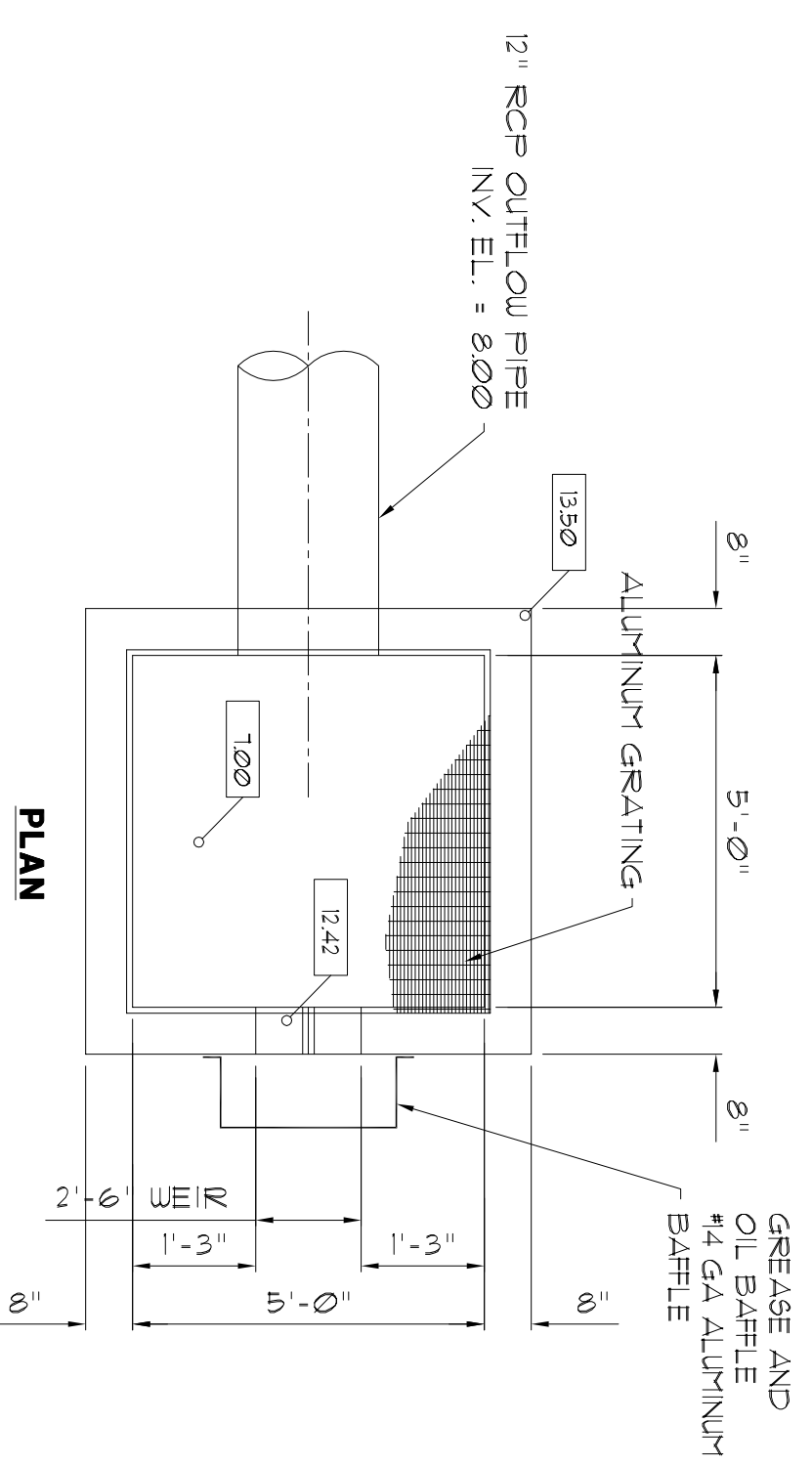
3 S2 **OUTFALL CONTROL STRUCTURE- FINAL DETENTION**
NOT TO SCALE



1 D4 **SECTION 1-1**
NOT TO SCALE



2 D4 **SECTION 2-2**
NOT TO SCALE



4 S2 **OUTFALL CONTROL STRUCTURE- OFFLINE POND**
NOT TO SCALE

LAST REVISION: 07/05/11
LAST PLOTTED: 07/05/11
DRAWING SCALE: 3/8"=1'
PLOT SCALE: 1=1

DRAWING CONFIDENTIAL:
THIS DRAWING AND ALL INFORMATION CONTAINED HEREON IS AND SHALL BE THE PROPERTY OF AL ANDREANSKY, P.E. AN INSTRUMENT OF PROFESSIONAL KNOWLEDGE AND PRIOR WRITTEN CONSENT OF AL ANDREANSKY, P.E. USE TO VERIFY FIGURE

SCALE VERIFICATION
THIS BAR REPRESENTS THE ORIGINAL DRAWING
0
1"

REVISION	DATE	DESCRIPTION	BY	APPROVED

ENGINEER OF RECORD:
AL ANDREANSKY, P.E.
FLA. REG. #39387

CAD FILE:	SCALE:
1106300104	3/8"=1'-0"
DRAWN BY: A.A.	DATE: 06-07-06
CHECKED BY:	DATE:
APPROVED BY:	DATE:

AL ANDREANSKY, P.E.
P.O. BOX 456
PALM HARBOR, FLORIDA 34682-0456
PHONE: 1727 460-8612, FAX: 1727 789-9565

MISCELLANEOUS DETAILS
8211 SW OLD KANSAS AVENUE
STUART, FLORIDA 34997

PROJECT No.
11063001.001
SHEET
D4 of 4