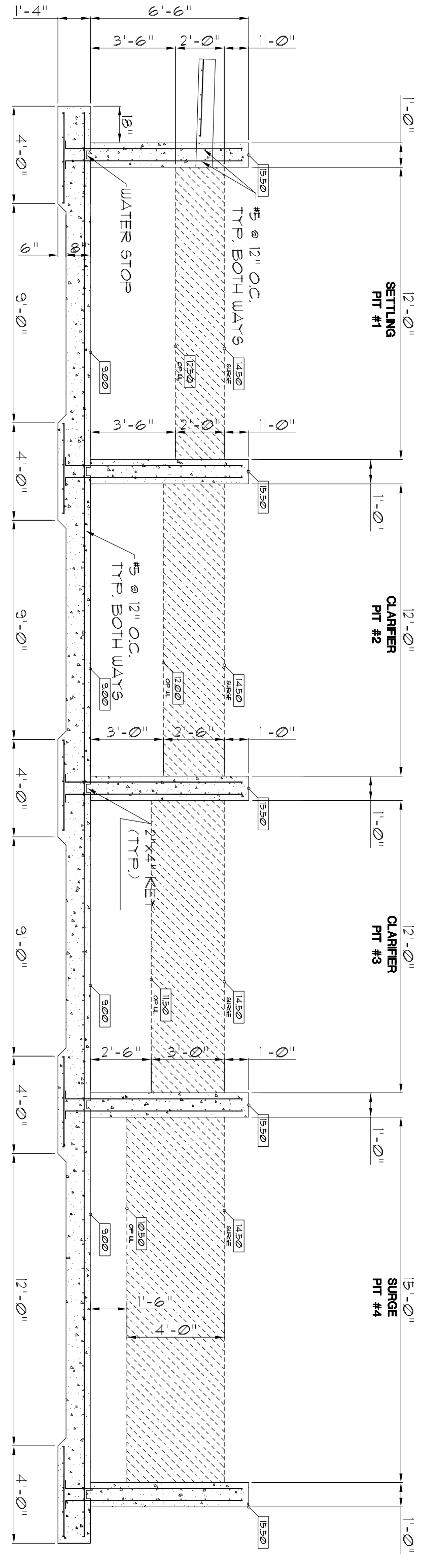
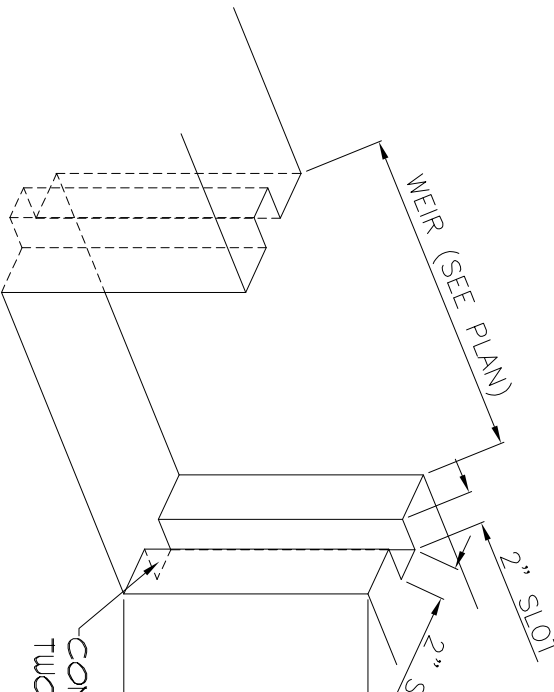


**1 PLAN**  
SCALE: 1/8"=1'-0"



**A SECTION**  
SCALE: 1/4"=1'-0"



**8 TYP. WEIR DETAIL**

NOTE: GATES TO BE USED DURING CLEAN UP OF THE PITS ONLY.

**MISC. NOTES:**

1. FINISH ALL CONCRETE SURFACES LIGHT BROOM FINISH.
2. CONCRETE SHALL BE 3000 PSI MIN.
3. REBAR SHALL BE GRADE 60.

- REINFORCED CONCRETE NOTES**
1. CONCRETE MATERIALS, MIXING, PREPARATION, TRANSPORTATION, HANDLING, CURING, FORMWORK, HOT AND COLD WEATHER PROCEDURES SHALL BE IN ACCORDANCE WITH THE LATEST EDITIONS FOR REINFORCED CONCRETE ACI 318 (LATEST EDITION).
  2. BRIDGEING STEEL UNLESS SPECIFICALLY NOTED OTHERWISE SHALL BE FURNISHED CONFORMING TO ASTM A618, WITH A MINIMUM YIELD STRENGTH OF 60,000 PSI. REINFORCING SHALL BE BENT PRACTICE FOR DETAILING REINFORCED CONCRETE STRUCTURES AND 315 (LATEST EDITION), UNLESS NOTED OTHERWISE. MINIMUM LAP FOR CONTINUOUS REINFORCING BARS TO BE 30 DIAMETERS OR 12" UNLESS NOTED OTHERWISE.
  3. STRUCTURAL CONCRETE WILL BE FORMED WITHIN THE FOLLOWING TOLERANCES:  
VARIATION FROM PLUMB.....1/4"  
VARIATION IN CROSS SECTIONAL DIMENSIONS.....+1/2" - 1/4"  
VARIATION IN WALL OR BEAM THICKNESS.....+2" - 1/2"  
VARIATION IN WALL OR BEAM POSITION.....+2" - 1/2"  
VARIATION IN WALL OR BEAM FINISH.....+2" - 1/2"  
VARIATION IN WALL OR BEAM COVER OR CENTERLINE POSITION.....+2" - 1/2"  
VARIATION IN WALL OR BEAM FINISH THICKNESS.....+2" - 1/2"
  4. MINIMUM COMPRESSIVE STRENGTH FOR CONCRETE SHALL BE 3000 PSI. SLURS SHALL BE CONSISTENT AT 4" +/- 1" UNLESS NOTES OTHERWISE. GREATER SLURS ARE NOT ACCEPTABLE. FOR READY MIX CONCRETE, THE MIX SHALL BE PLACED AND CONSOLIDATED WITHIN 90 MINUTES. GREATER TIME SPANS ARE NOT ACCEPTABLE. PROVIDE AN APPROVED ASYM. C200 ADMIXTURES SHALL CONFORM TO ASTM C94, AND BE USED IN STRICT ACCORDANCE WITH MANUFACTURER'S SPECIFICATIONS.
  5. INSERTS, FRAME-OUTS, STEVES, BRACKETS, CONDENS AND THE DRAWINGS IN A MANNER THAT WILL NOT IMPAIR THE STRUCTURAL STRENGTH OF THE SYSTEM. BE SO INSTALLED THAT THEY WILL NOT BE REMOVED FROM THE SYSTEM. PROVIDE DETAILS FOR ALL OTHER THAN SHOWN ON THE TYPICAL DETAILS. ELECTRICAL CONDUITS SHALL NOT BE PLACED BELOW THE BOTTOM OR ABOVE THE TOP OF THE SYSTEM. CONDUITS SHALL BE PLACED IN THE THICKNESS OR WALL OR BEAM IN WHICH IT IS EMBEDDED. SHALL NOT BE PLACED IN THE THICKNESS OR WALL OR BEAM IN WHICH IT IS EMBEDDED. APPROVED AND COVERED BY THE ENGINEER. APPROVED AND COVERED BY THE ENGINEER. APPROVED AND COVERED BY THE ENGINEER. APPROVED AND COVERED BY THE ENGINEER. APPROVED AND COVERED BY THE ENGINEER.

LAST REVISION: 07/05/11  
LAST PLOTTED: 07/05/11  
DRAWING SCALE: 1/8"=1'-0"  
PLOT SCALE: 1"=1'

**DRAWING CONFIDENTIAL:**  
THIS DRAWING AND ALL INFORMATION CONTAINED THEREON IS AND SHALL BE THE PROPERTY OF TARMAC AMERICA, LLC. ANY REPRODUCTION OR DISSEMINATION OF THIS DRAWING WITHOUT THE WRITTEN CONSENT OF TARMAC AMERICA, LLC IS STRICTLY PROHIBITED.

**SCALE VERIFICATION:**  
THIS BAR REPRESENTS THE ORIGINAL DRAWING.  
USE TO VERIFY FIGURE.

REVISION	DATE	DESCRIPTION	BY	APPROVED

**ENGINEER OF RECORD:**  
AL ANDREANSKY, P.E.  
FLA. REG. #39387

CAD FILE:	SCALE:
11063001WI	1/8"=1'-0"

**AL ANDREANSKY, P.E.**  
P.O. BOX 466  
PALM HARBOR, FLORIDA 34682-0466  
PHONE: (727) 460-8612 FAX: (727) 789-9565

**TYPE II SYSTEM LAYOUT AND DETAILS**  
8211 SW OLD KANSAS AVENUE  
STUART, FLORIDA 34997

PROJECT NO.	11063001.001
SHEET	WI of 3