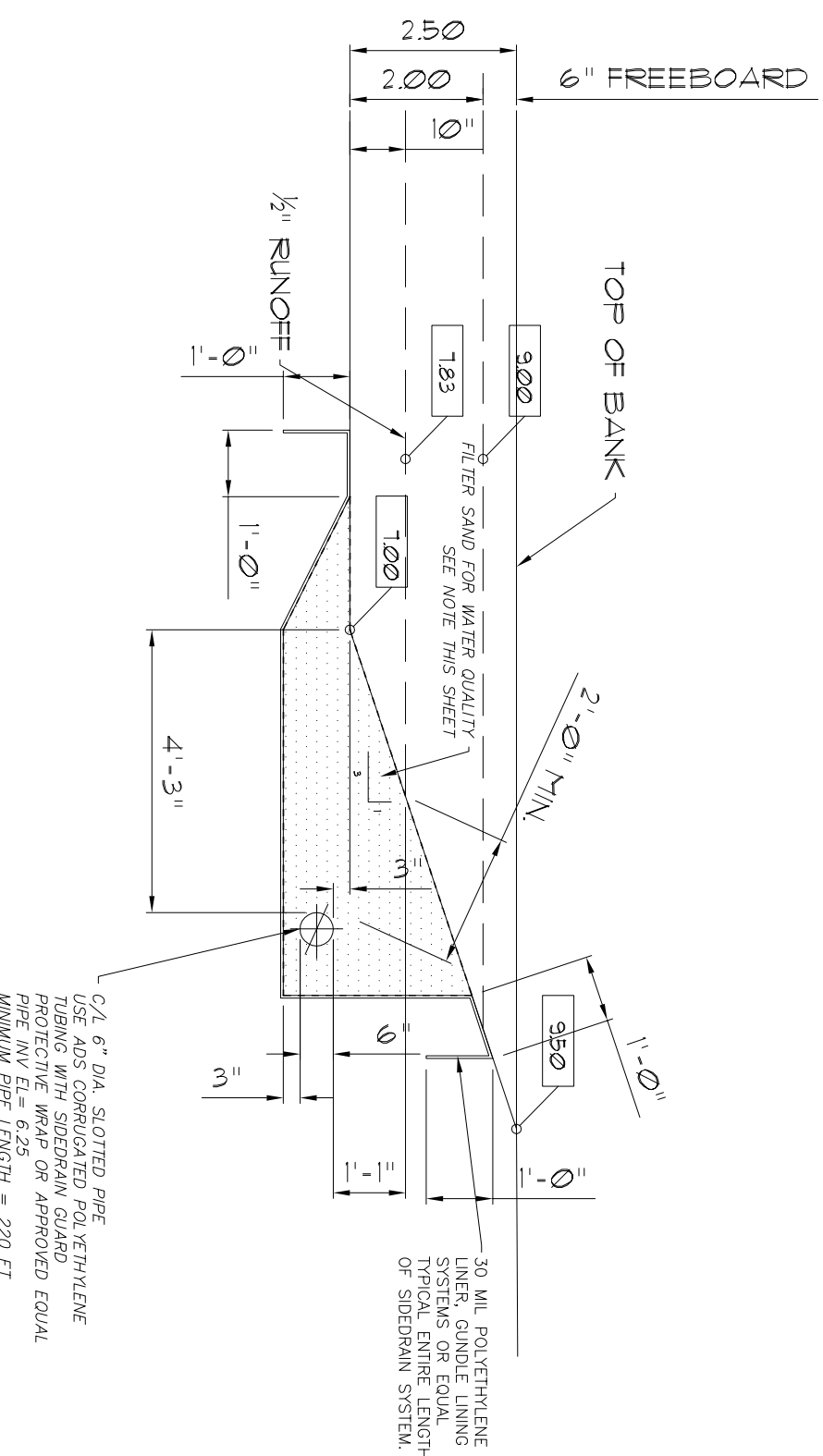


ELEVATION

1
OUTFALL STRUCTURE

SCALE: 3/8" = 1'-0"

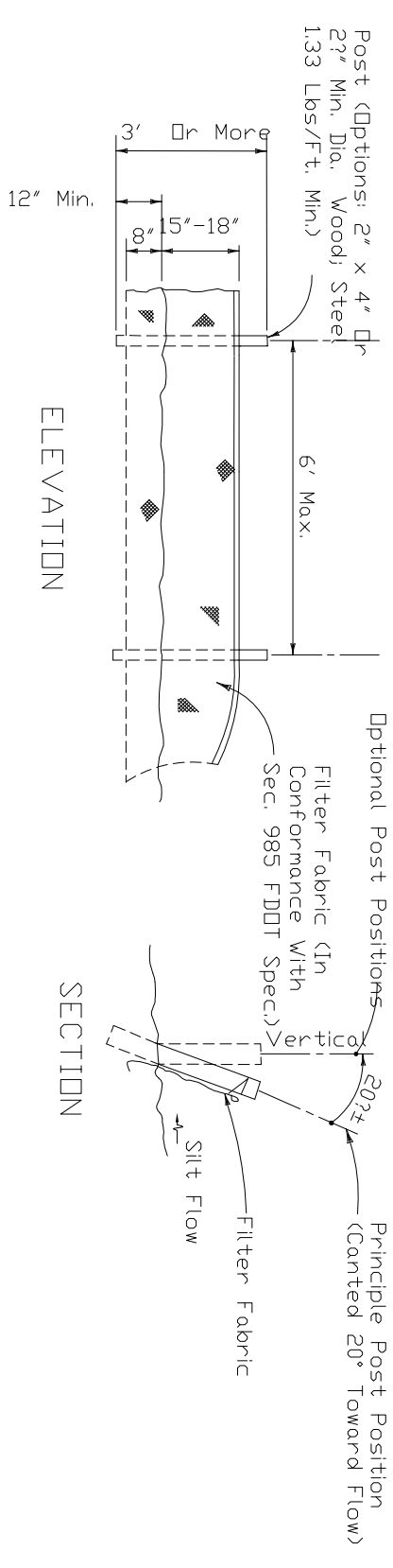


2
SIDE DRAIN DETAIL

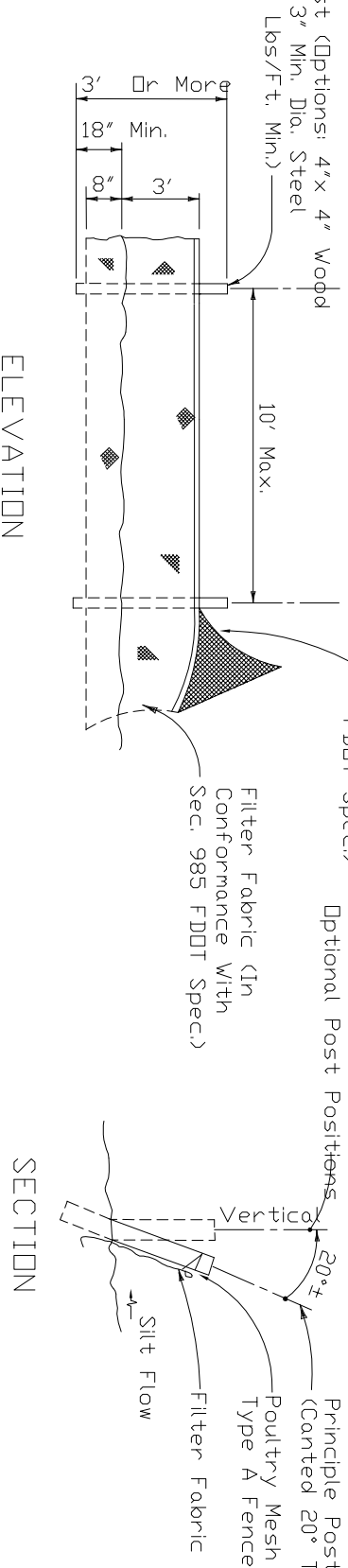
SCALE: 3/8" = 1'-0"

FILTER MATERIAL SPECIFICATIONS:

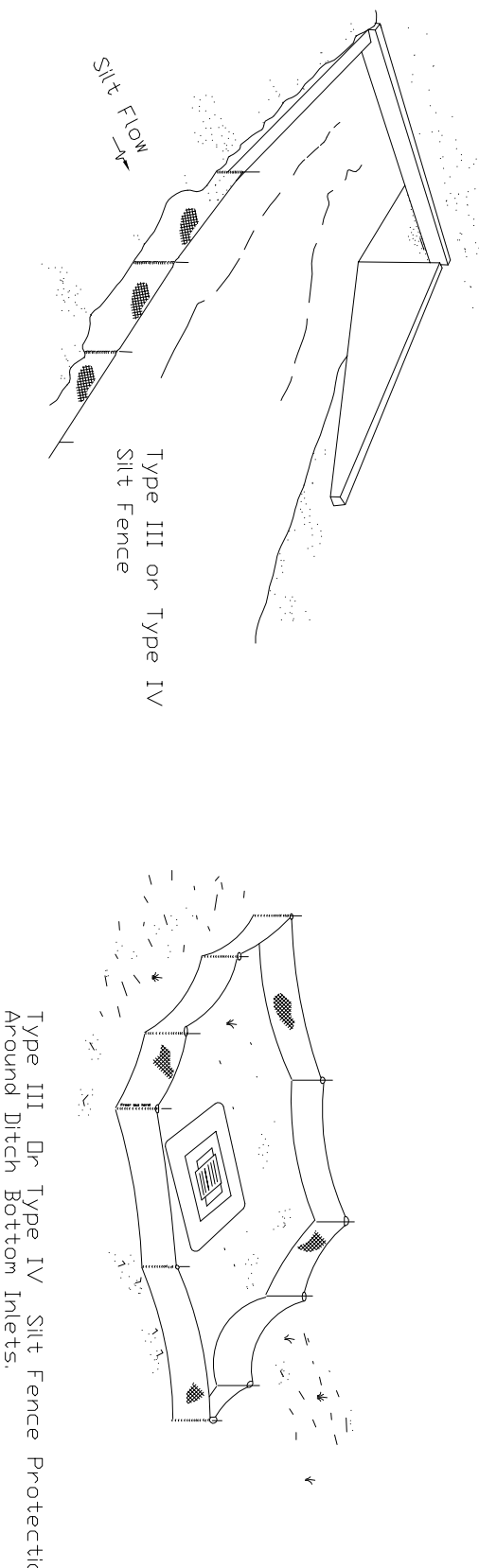
1. WASHED MATERIAL SHALL MEET FOOT ROAD AND BRIDGE SPECIFICATIONS FOR SILT AND SAND. PERCENTS SHALL BE AS FOLLOWS: PERCENT SAND SHALL BE NOT LESS THAN 1 PERCENT SILT, CLAY AND ORGANIC MATTER, UNLESS FILTER CLOTHS USED WHICH IS SUITABLE TO RETAIN THE SILT, CLAY AND ORGANIC MATTER WITHIN THE FILTER.
2. CALCIMUM CARBONATE AGGREGATE IS NOT AN ACCEPTABLE SUBSTITUTE.
3. UNIFORMITY COEFFICIENT SHALL BE 1.5 OR GREATER AND EFFECTIVE GRAIN SIZE SHALL BE OF 0.20 TO 0.55 MILLIMETERS IN DIAMETER.



TYPE III SILT FENCE

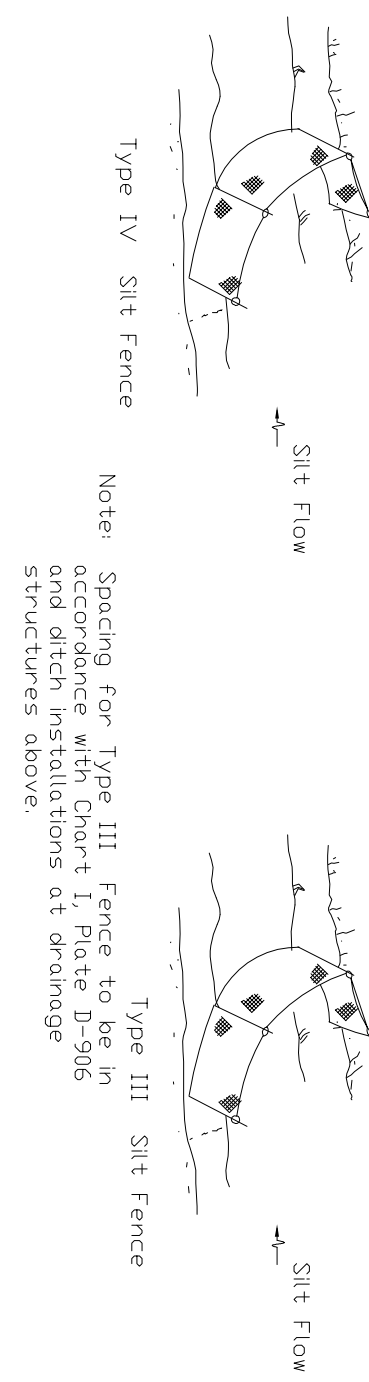


TYPE IV SILT FENCE

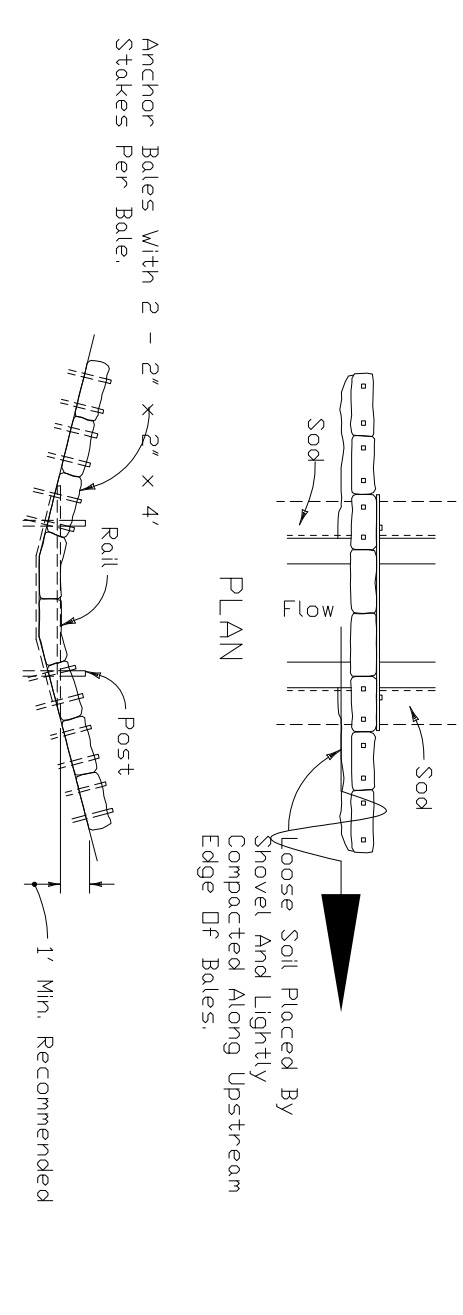


SILT FENCE APPLICATIONS

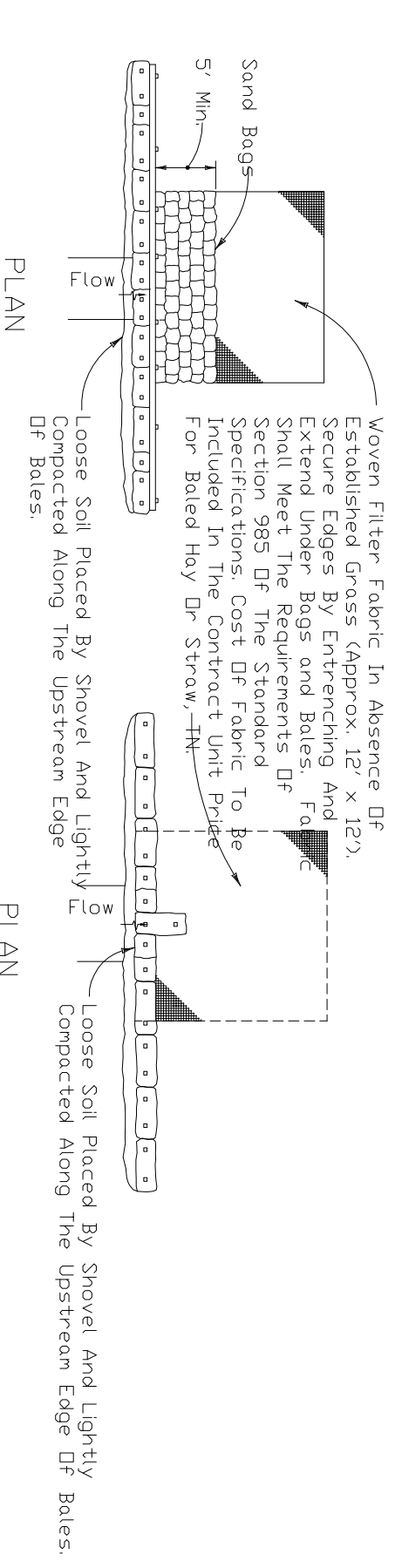
Do not deploy in a manner that silt fences will act as a dam across permanent flowing water. Silt fences should be used at optimal locations and turbidity barriers used at permanent bodies of water.



SILT FENCE TYPE III & IV

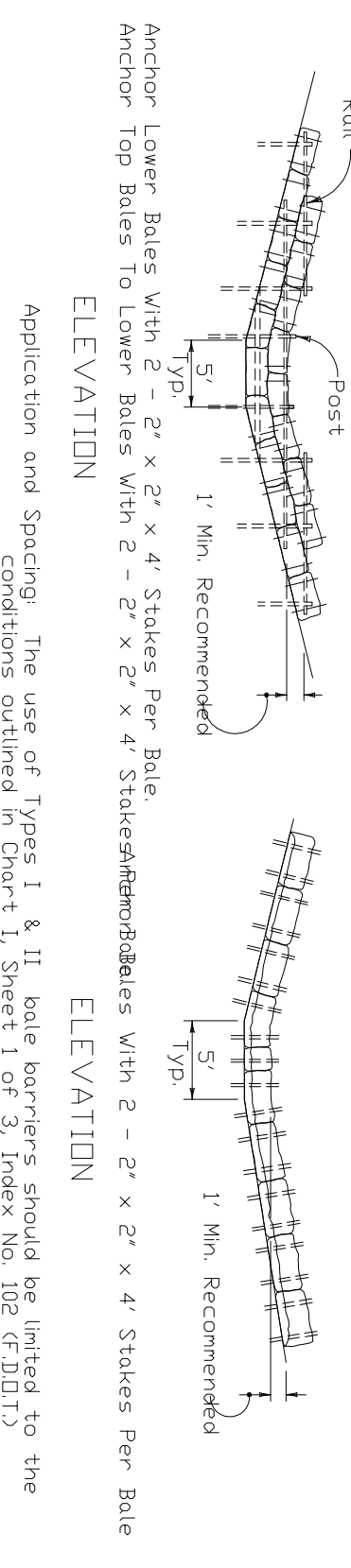


BARRIER FOR PAVED DITCH



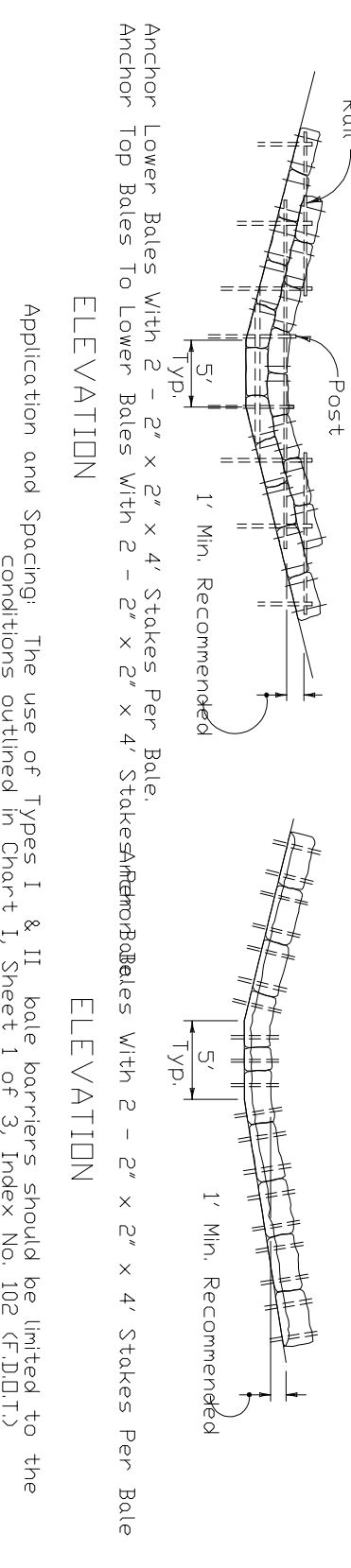
BARRIER FOR UNPAVED DITCHES

HAY BALE BARRIERS TYPE I & II



TYPE I

TYPE II



TYPE I

TYPE II

LAST REVISION: 03/23/12
LAST PLOTTED: 03/23/12
DRAWING SCALE: 3/8"=1'
PLOT SCALE: 1=1

DRAWING CONFIDENTIAL:
THIS DRAWING AND ALL INFORMATION CONTAINED HEREON IS AND SHALL BE THE PROPERTY OF AL ANDREANSKY, P.E. ANY REPRODUCTION OR DISSEMINATION OF THIS DRAWING WITHOUT THE WRITTEN CONSENT OF AL ANDREANSKY, P.E. IS PROHIBITED.

SCALE VERIFICATION
THIS BAR REPRESENTS THE ORIGINAL DRAWING
0 1'
USE TO VERIFY FIGURE

REVISION	DATE	DESCRIPTION	BY	APPROVED

ENGINEER OF RECORD:
AL ANDREANSKY, P.E.
FLA. REG. #39387
DATE SIGNED: _____

CAD FILE:	SCALE:
11082901ABD	3/8" = 1'-0"

AL ANDREANSKY, P.E.
P.O. BOX 456
PALM HARBOR, FLORIDA 34682-0456
PHONE: (727) 460-8612, FAX: (727) 789-9565

STORMWATER SYSTEM DETAILS
MARITIME BLVD
TAMPA, FLORIDA

AS-BUILT DRAWINGS
I hereby certify that these "As-Built Drawings" reflect all significant changes and omissions approved during the construction process. They are based upon marked-up site drawings and other information furnished to the Engineer by the Contractor, and show the completed construction to the best of my knowledge and belief.
ENGINEER: _____ DATE: _____

PROJECT NO.: 11082901.001
SHEET D2 of 2