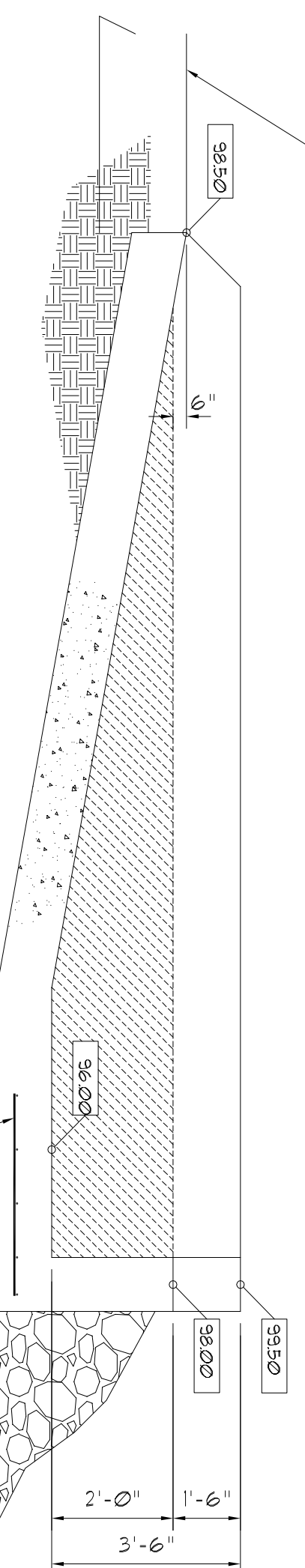
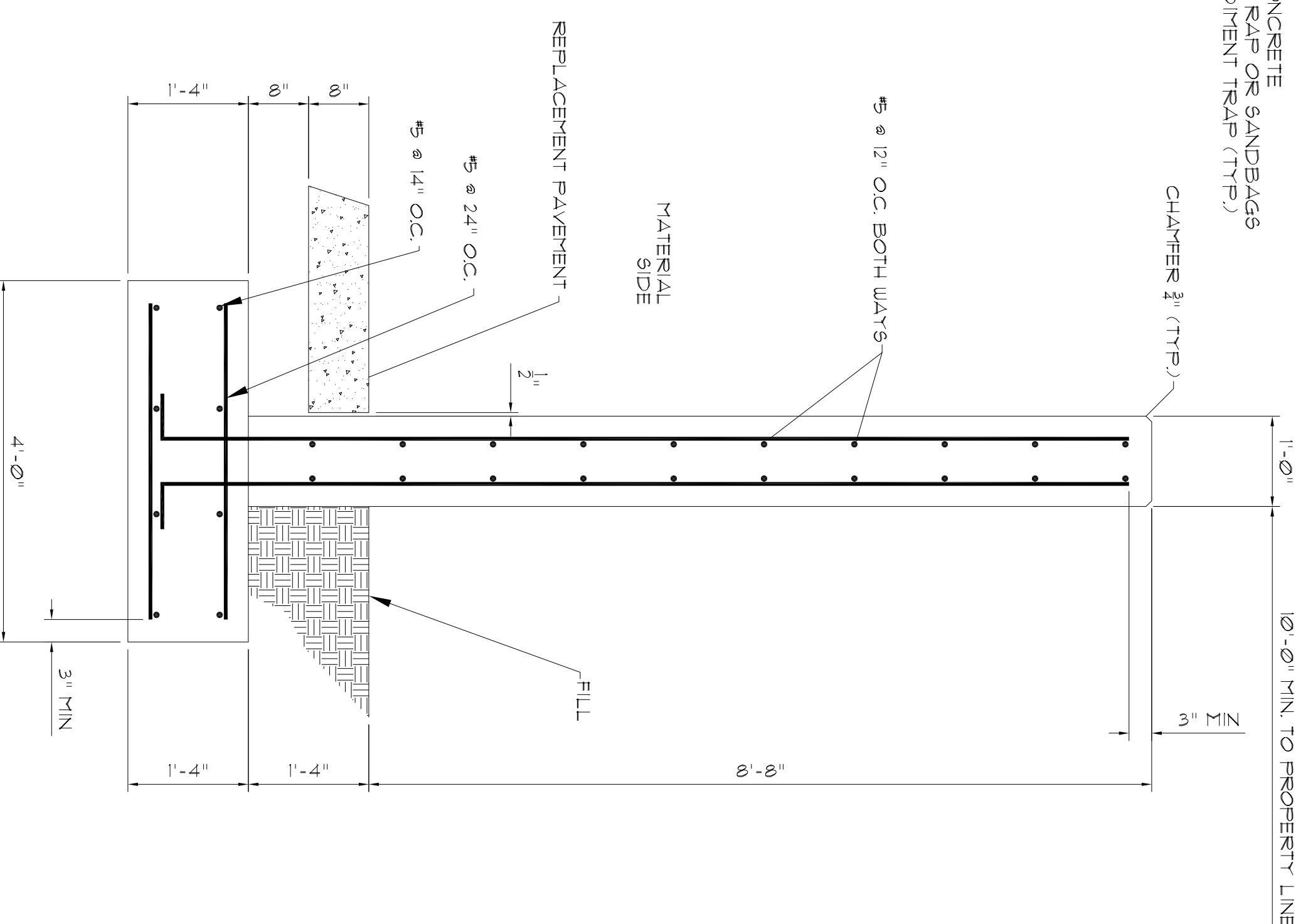


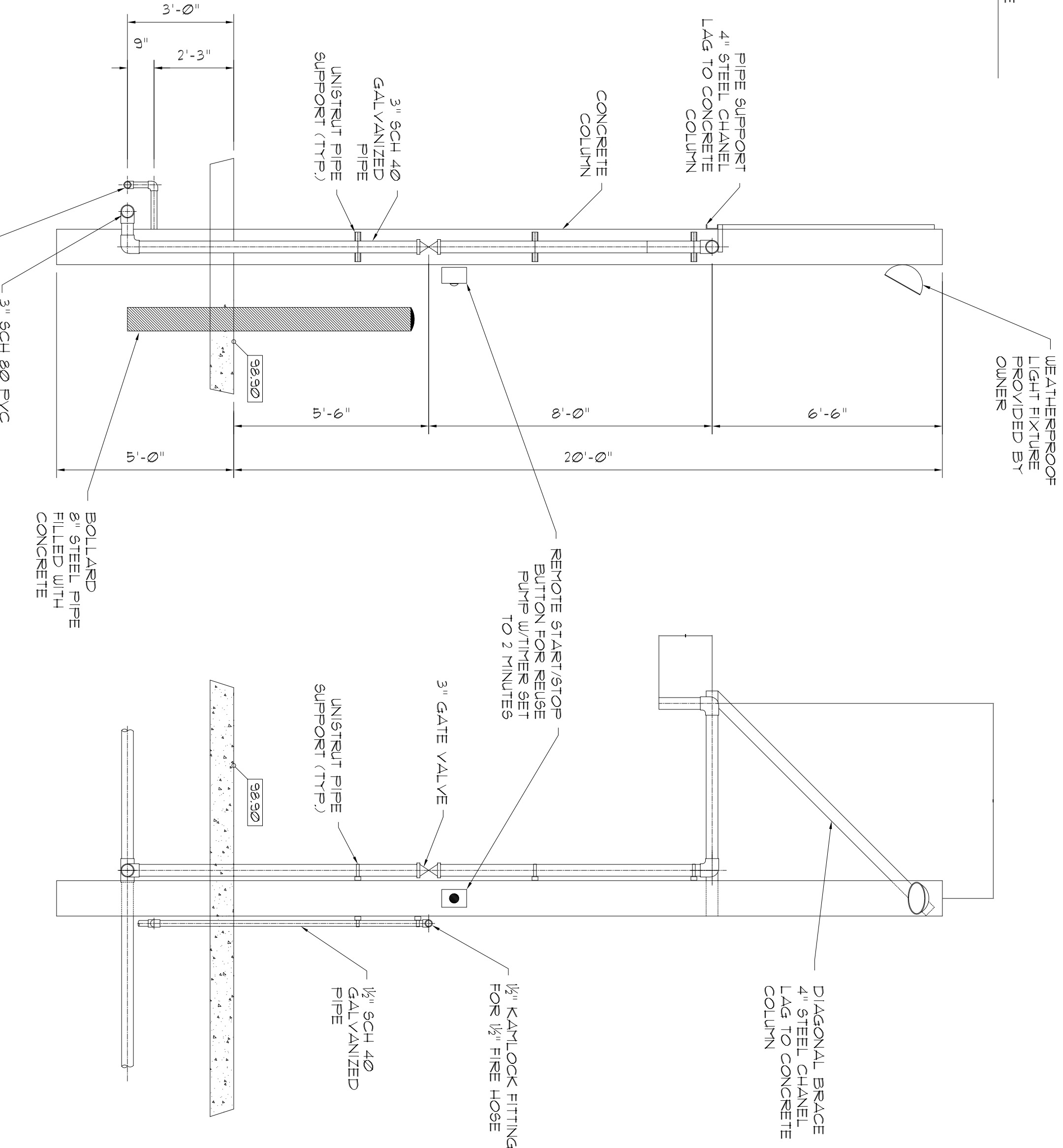
1 TYPICAL SEDIMENT TRAP PLAN
SCALE: 3/8" = 1'-0"



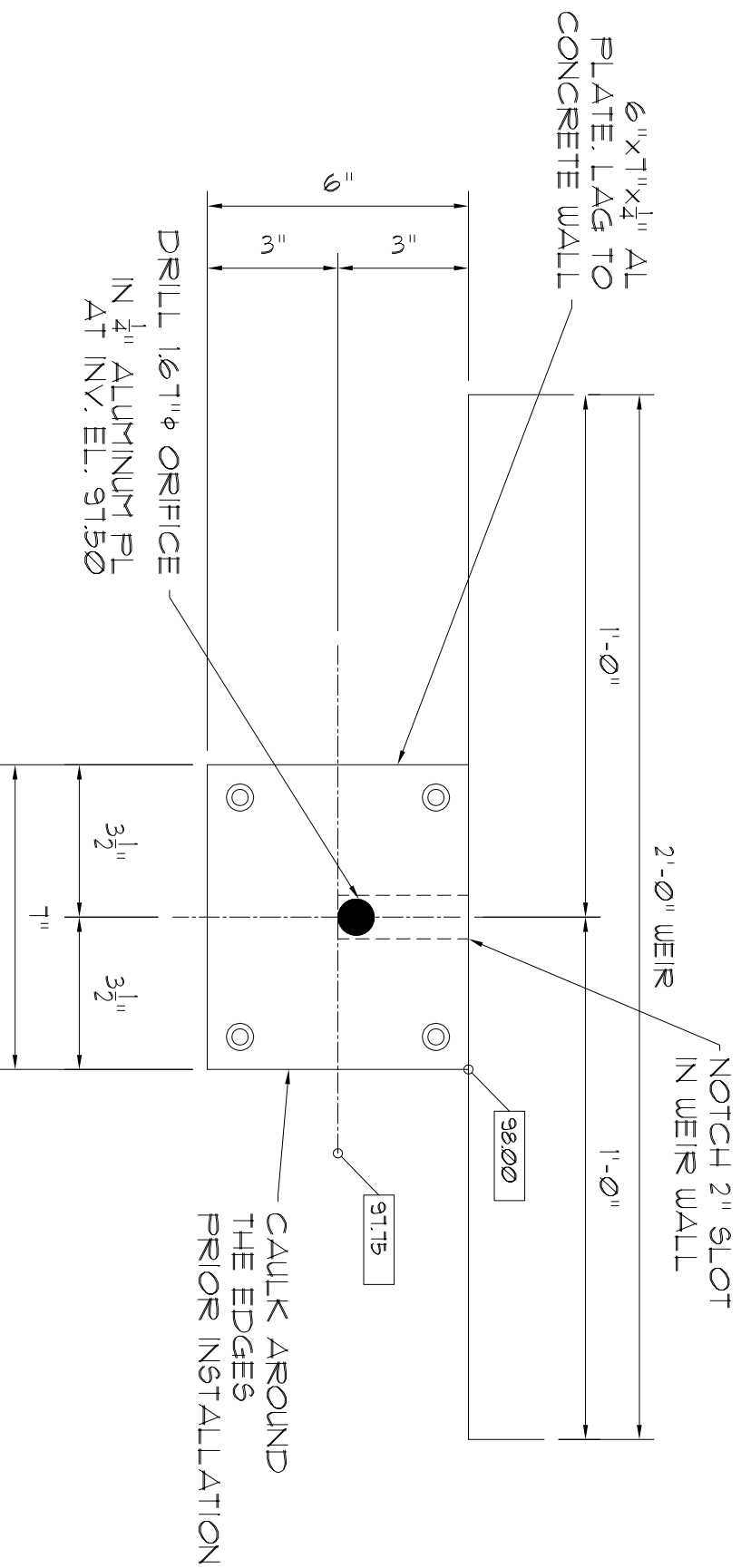
2 TYPICAL SEDIMENT TRAP CROSS SECTION
SCALE: 3/8" = 1'-0"



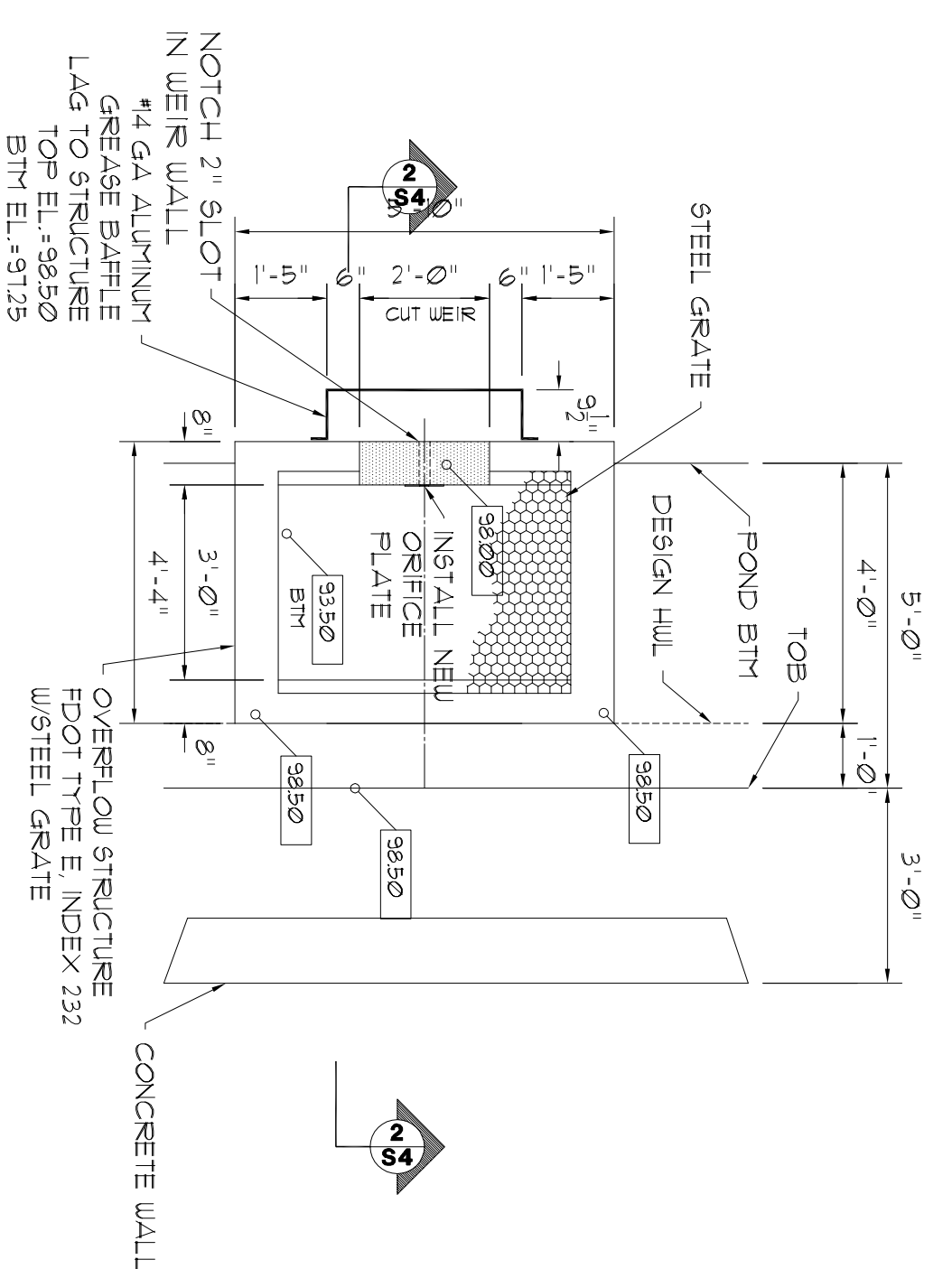
3 TYP. AGGREGATE BIN SECTION
SCALE: 1/2" = 1'-0"



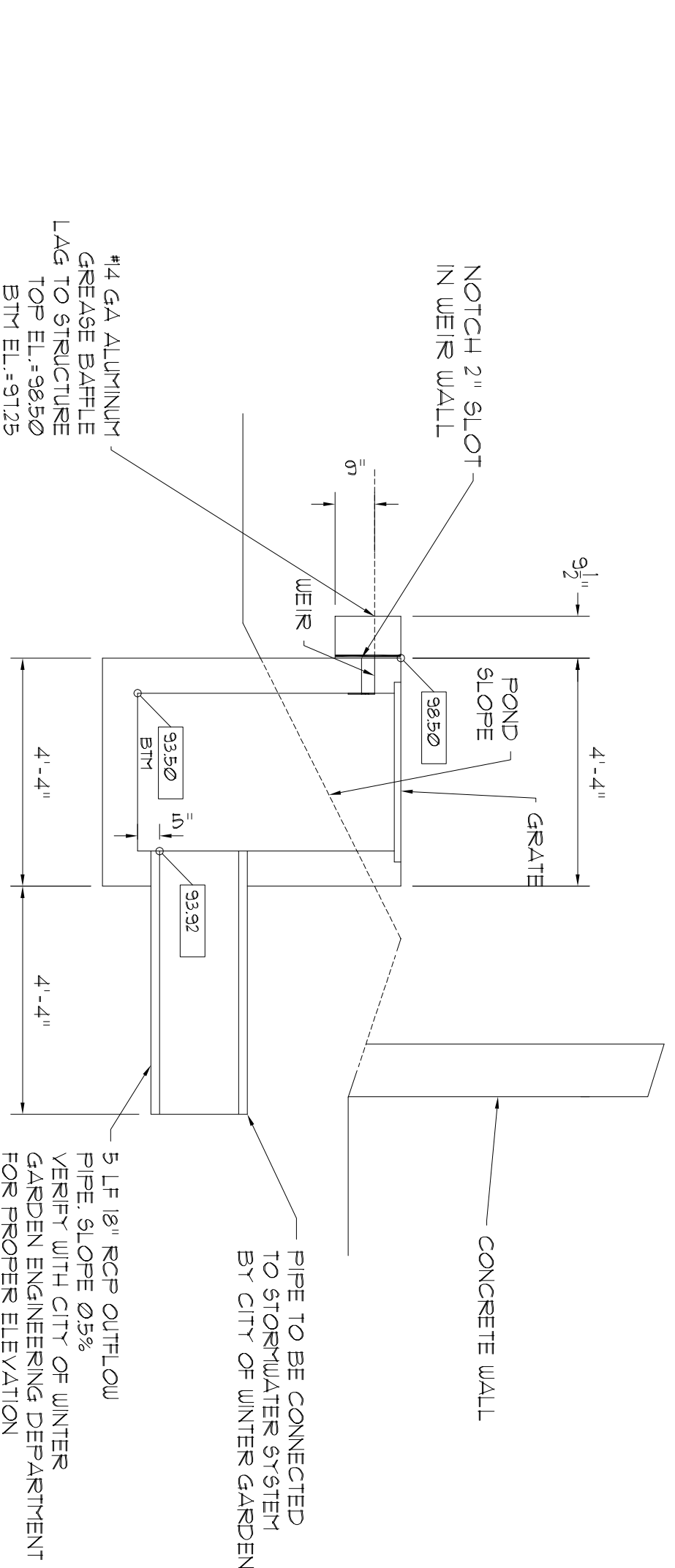
4 WATER TREE DETAIL (2 REQ'D)
SCALE: 1/4" = 1'-0"



5 ORIFICE PLATE DETAIL
SCALE: 3/4" = 1'-0"



6 EMERGENCY OVERFLOW
SCALE: 3/8" = 1'-0"



7 TYPICAL OVERFLOW STRUCTURE CROSS SECTION
SCALE: 3/8" = 1'-0"

DRAWING CONFIDENTIAL:
THIS DRAWING AND ALL INFORMATION CONTAINED HEREON IS AND SHALL BE THE PROPERTY OF TARMAC AMERICA, P.C. AN INSTRUMENT OF PROFESSIONAL ENGINEERING SERVICE CONTRACT NOT BE USED WITHOUT THE FULL KNOWLEDGE AND PRIOR WRITTEN CONSENT OF TARMAC AMERICA, P.C.

SCALE VERIFICATION:
THIS BAR REPRESENTS THE ORIGINAL DRAWING
0 1'

REVISION	DATE	DESCRIPTION	BY	APPROVED

ENGINEER OF RECORD:
AL ANDREANSKY, P.E.
FLA. REG. #39387

CAD FILE:	SCALE:
12080301S4	3/8" = 1'-0"

AL ANDREANSKY, P.E.
P.O. BOX 456
PALM HARBOR, FLORIDA 34682-0456
PHONE: (727) 460-8612, FAX: (727) 789-9565

MISCELLANEOUS DETAILS
100 HENNIS RD
WINTER GARDEN, FLORIDA 32787

PROJECT NO.
12080301.001
SHEET
S4 of 4