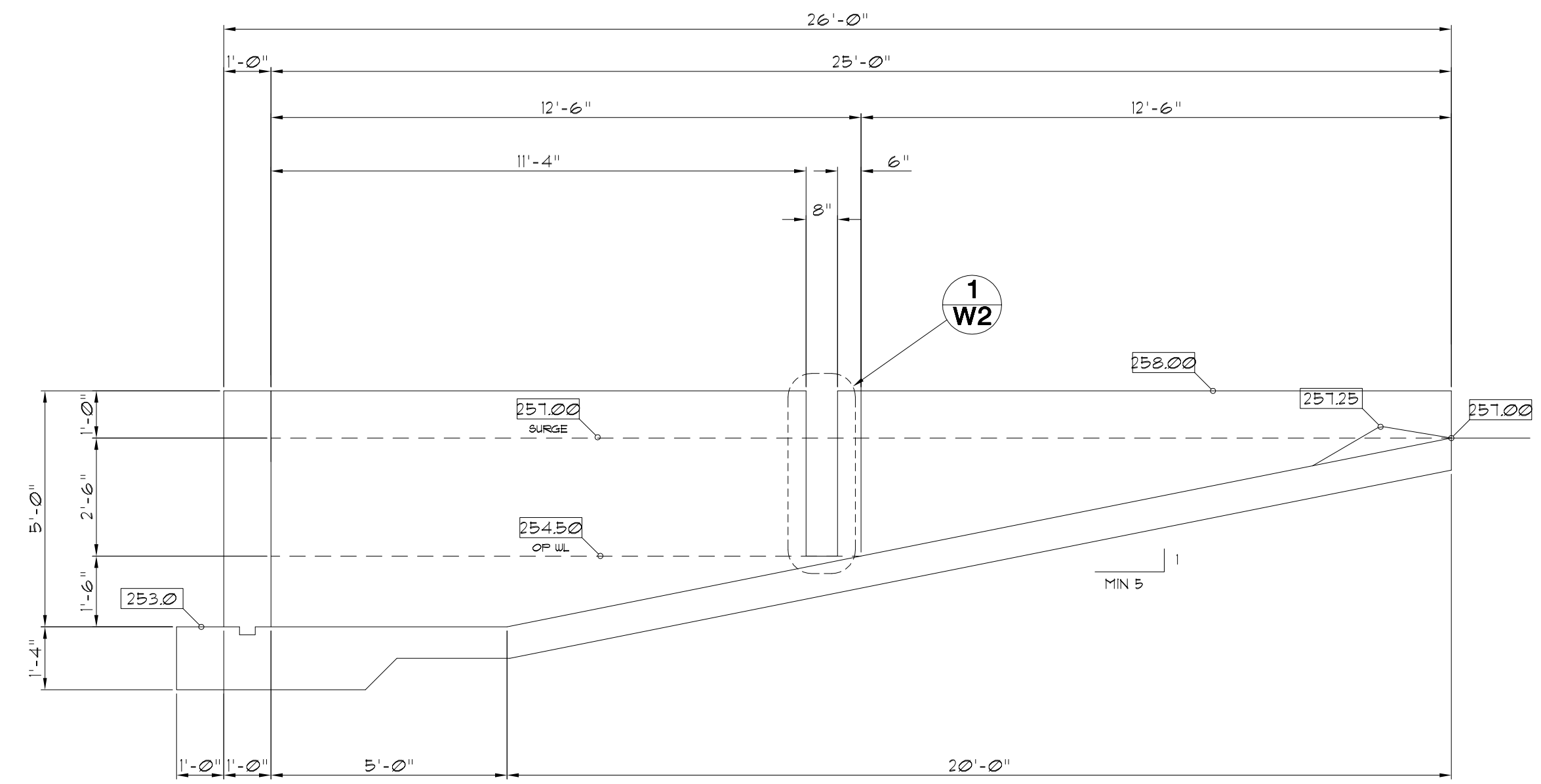
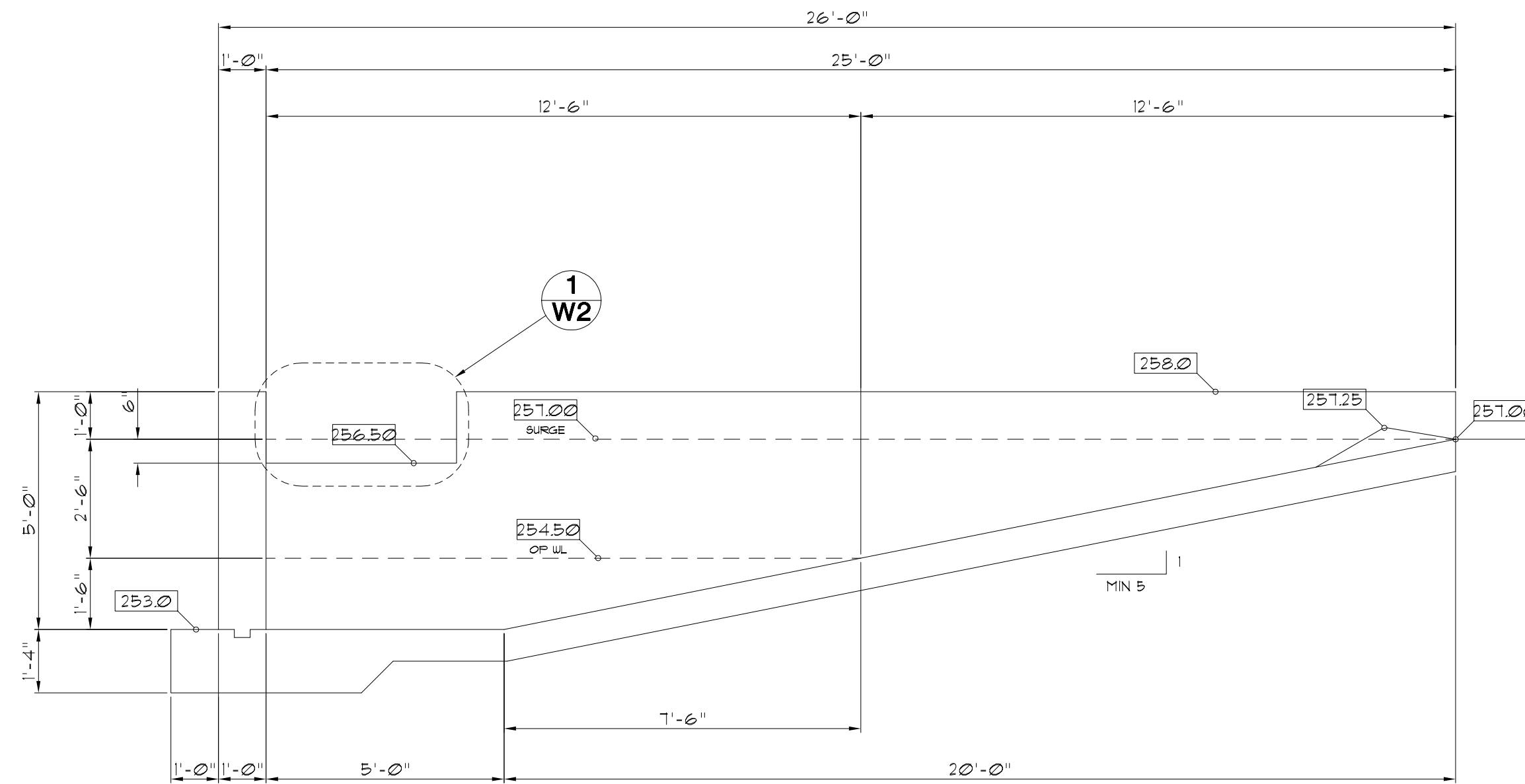


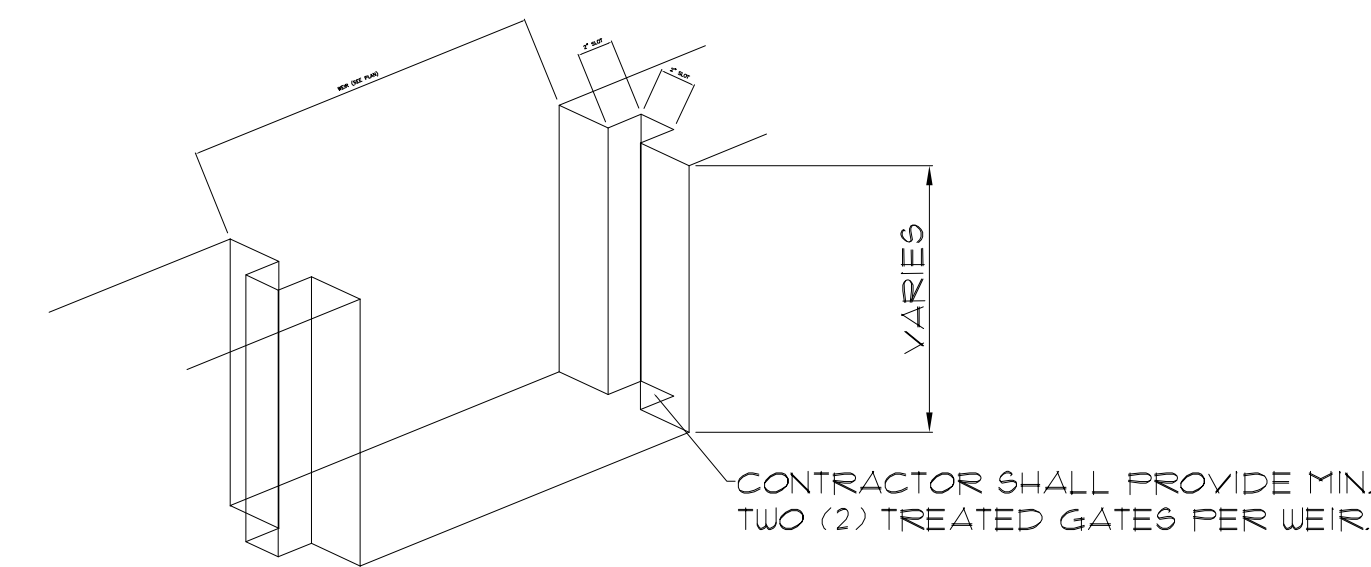
**B SECTION**  
SCALE: 3/8"=1'-0"



**D SECTION**  
SCALE: 3/8"=1'-0"



**C SECTION**  
SCALE: 3/8"=1'-0"



**1 W1 TYP. WEIR DETAIL**

**MISC. NOTES:**

2. FINISH ALL CONCRETE SURFACES LIGHT BROOM FINISH.
3. CONCRETE SHALL BE 3000 PSI MIN.
4. REBAR SHALL BE GRADE 60.

**REINFORCED CONCRETE NOTES**

1. CONCRETE MATERIALS, MIXING, PREPARATION, TRANSPORTATION, HANDLING, CURING, FORMWORK, HOT AND COLD WEATHER PROCEDURES SHALL CONFORM TO BUILDING CODE REQUIREMENTS FOR REINFORCED CONCRETE ACI 318 (LATEST EDITION).
2. REINFORCING STEEL, UNLESS SPECIFICALLY NOTED OTHERWISE SHALL BE FORMED BARS CONFORMING TO ASTM A615, WITH A MINIMUM YIELD STRENGTH OF 60,000 PSI. REINFORCING SHALL BE BENT, PLACED AND SUPPORTED TO CONFORM TO THE MANUAL OF STANDARD PRACTICE FOR DETAILING REINFORCED CONCRETE STRUCTURES ACI 315 (LATEST EDITION), UNLESS NOTED OTHERWISE. MINIMUM LAP FOR CONTINUOUS REINFORCING BARS TO BE 30 DIAMETERS OR 12" UNLESS NOTED OTHERWISE.
3. STRUCTURAL CONCRETE WILL BE POURED WITHIN THE FOLLOWING TOLERANCES:  
 VARIATION FROM PLUMB:  
 IN 10'-0".....1/4"  
 VARIATION IN CROSS SECTIONAL DIMENSIONS:  
 COLUMNS AND BEAMS.....+1/2" - 1/4"  
 SLABS AND WALLS.....+1/4" - 0"  
 VARIATIONS IN FOOTINGS AND PILE CAPS:  
 PLAN DIMENSIONS.....+2" - 1/2"  
 THICKNESS.....-0"
4. MINIMUM COMPRESSIVE STRENGTH FOR CONCRETE SHALL BE 3,000 PSI. SLUMPS SHALL BE CONSISTENT AT 4" +/- 1" UNLESS NOTES OTHERWISE. GREATER SLUMPS ARE NOT ACCEPTABLE. FOR "READY MIX" CONCRETE, THE MAXIMUM TIME PERMITTED BETWEEN ADDING MIX WATER AND DEPOSITING CONCRETE IN FORMS IS 90 MINUTES. GREATER TIME SPANS ARE NOT ACCEPTABLE. PROVIDE AN APPROVED WATER REDUCING ADMIXTURE IN ALL CONCRETE, CONFORMING TO ASTM C260. ADMIXTURES SHALL CONFORM TO ASTM C494, AND BE USED IN STRICT ACCORDANCE WITH MANUFACTURER'S SPECIFICATIONS.
5. INSERTS, FRAME-OUTS, SLEEVES, BRACKETS, CONDUITS AND FASTENING DEVICES SHALL BE INSTALLED AS REQUIRED BY THE DRAWINGS IN A MANNER THAT WILL NOT IMPAIR THE STRUCTURAL STRENGTH OF THE SYSTEM. BE SO INSTALLED THAT THEY WILL NOT REQUIRE CUTTING, BENDING OR DISPLACEMENT OF THE REINFORCING OTHER THAN SHOWN ON THE TYPICAL DETAILS. ELECTRICAL CONDUITS SHALL NOT BE PLACED BELOW THE BOTTOM OR ABOVE THE TOP REINFORCING. SHALL NOT PASS THROUGH THROUGH A COLUMN, SHALL NOT BE LARGER IN OUTSIDE DIMENSION THAN 1/3 OF THE SLAB THICKNESS OR WALL OR BEAM IN WHICH IT IS EMBEDDED, SHALL NOT BE SPACED CLOSER THAN 3 DIAMETERS ON CENTER, UNLESS APPROVED, AND HAVE A MINIMUM COVER OF 1". OPENINGS AND DRIVEN FASTENERS REQUIRED IN CONCRETE AFTER THE CONCRETE IS PLACED SHALL BE APPROVED BY THE ENGINEER BEFORE PROCEEDING.

THIS PROJECT DESIGN IS BASED ON  
FBC 2014 (5TH EDITION).



LAST REVISION: 10/27/16  
 LAST PLOTTED: 10/27/16  
 DRAWING SCALE: 1"=60'  
 PLOT SCALE: 1=1

DRAWING CONFIDENTIAL:  
 THIS DRAWING AND ALL INFORMATION  
 CONTAINED THEREON IS AND SHALL  
 REMAIN THE PROPERTY OF  
 A. ANDREANSKY, P.E., AS  
 AN INSTRUMENT OF PROFESSIONAL  
 SERVICE. THIS INFORMATION SHALL  
 NOT BE USED WITHOUT THE FULL  
 KNOWLEDGE AND PRIOR WRITTEN  
 CONSENT OF A. ANDREANSKY, P.E.

SCALE VERIFICATION  
 THIS BAR REPRESENTS  
 ONE INCH ON THE  
 ORIGINAL DRAWING  
 0 1"  
 USE TO VERIFY FIGURE

REVISION	DATE	DESCRIPTION	BY	APPROVED

ENGINEER OF RECORD:  
 A. ANDREANSKY, P.E. DATE  
 FLA. REG. #39387 SIGNED:

CAD FILE: 16041202S SCALE: NOTED  
 DRAWN BY: A.A. DATE: 10-05-16  
 CHECKED BY: DATE:  
 APPROVED BY: DATE:

**AL ANDREANSKY, P.E.**  
 P.O. BOX 456  
 PALM HARBOR, FLORIDA 34682-0456  
 PHONE: (727) 441-4149, FAX: (727) 789-9565

**WAHOUT PIT SECTIONS**  
**LAKE INDUSTRIAL BLVD**  
**TAVARES, FLORIDA**

PROJECT No.  
16100501.001  
 SHEET  
**W2 of 2**

TAVARES READY MIX AND BLOCK PLANT, TITAN FLORIDA LLC, DEERFIELD BEACH, FLORIDA